



# OXGuard

Protect the Edge®

OXGuard edge protection is an effective and economical solution that protects products from damage while in transit or storage. OXGuard provides lightweight edge protection, load containment, and uniform weight distribution for improved stacking uniformity and stabilization.

**Made from 100% recycled paperboard. It is lightweight, yet strong as an Ox.**

Armorboard and Guardian Angle are now OXGuard. Same great product, new name!

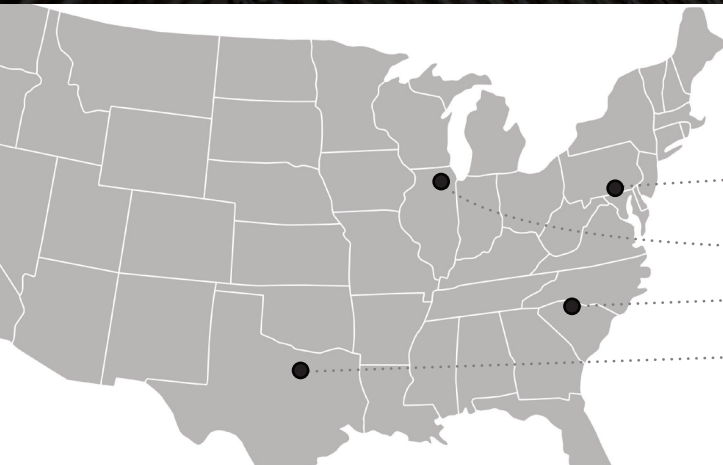


All Ox Industries converted products are manufactured from 100% recycled material and are 100% recyclable.



## You will love our not-so-standard standards!

- ✓ White or brown options
- ✓ Variety of sizes
- ✓ Various packaging options available
- ✓ Custom printing up to 3-color capacity
- ✓ Quick turns
- ✓ Low minimums



## Strategically Positioned

Hanover, PA

Aurora, IL

York, SC

Ft. Worth, TX

**Contact Us to Get Your Order Started Today!**

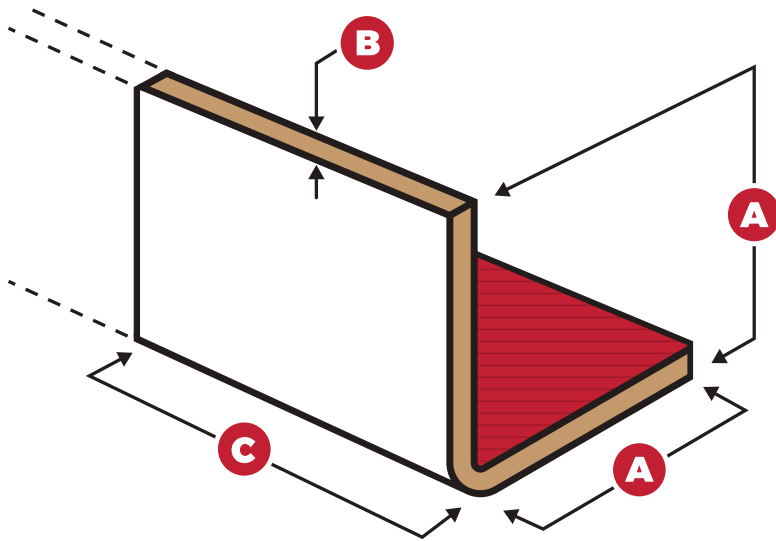


**OX INDUSTRIES**

INFO@OXINDUSTRIES.COM • OXINDUSTRIES.COM • 717-852-7474

# Getting the Right Size:

Three measurements determine size:



## SPECIFICATIONS

### A Leg Lengths

OXGuard is available from 1.5 inch to 4 inch legs

### B Caliper

The caliper or thickness of OXGuard is measured in thousands of an inch. Our products range in caliper from .060 to .400

### C Board Length

OXGuard is cut to order. We offer lengths between 2 and 240 inches.

Paper Size	Leg Length
3"	1.5" x 1.5"
4"	2" x 2" or 1.5" x 2.5"
5"	2.5" x 2.5" or 2" x 3"
6"	3" x 3" or 2" x 4"
8"	4" x 4" or 3" x 5"

## Location Capabilities

	Aurora, IL	Hanover, PA	Fort Worth, TX	York, SC
Printing	✓	✓	✓	✓
Perforated		✓		
Over-Wrap	✓	✓		✓
Clips		✓	✓	✓
2" to 18"		✓	✓	✓
Up to 240"	✓	✓	✓	✓

\*Custom lengths available upon request



**OX INDUSTRIES**

INFO@OXINDUSTRIES.COM • OXINDUSTRIES.COM • 717-852-7474